

A close-up, angled view of a white Bizerba weighing scale. The digital display is illuminated with an orange glow and shows the number '0.55'. Below the display, the word 'Preis' is printed. The scale is positioned on a wooden surface, and the background is softly blurred.

BIZERBA

■ ... closer to your business

■ ... Simple solution, great performance...

... Bizerba Economic class EC II Weighing scales



Wherever you need to weigh produce quickly and precisely and don't need a sales slip or a price sticker or dozens of additional functions, then Bizerba's Economic class is just right for you. These mobile electronic scales have a very small footprint on your sales counter and can also be taken to the all the weekly markets and operated there without mains electricity.

... as much high-tech as necessary, as much comfort as possible...

At the top of their class

Bizerba EC II weighing scales have a wide variety of different applications. They can be used in small groceries, sweet shops, cake shops and bakers or in mobile catering vehicles, market stalls, professional kitchens and canteens. As a customer scales for checking the weight in fruit and vegetable departments it makes a great overall impression as well – technologically, economically and ergonomically. Its large, well-structured 7 segment, backlit LCD display is easy to read in dark rooms or in bright sunlight too. An alternative power supply with batteries and a rechargeable battery is also available as an additional extra. The scales can then operate for 190 or 130 hours without mains electricity. The rechargeable batteries are recharged every time the scales are plugged in to the mains.



Whatever version you choose, it's fun working with the Bizerba Economic class, because everything easy to operate and works as it's supposed to, thanks to the highest-quality construction and material specifications.

Just the way you want it

As flexible as they are, the EC II range of scales doesn't include an all-round genius. That's why Bizerba offers three tailored versions of the Economic class for different environments, locations and serving situations.

- Electronic desk-top scales with weight display
- Electronic desk-top scales with price calculation
- Electronic desk-top scales with price calculation and customer display on stand





The waterproof keypad of the EC II scales with price calculation has over 30 keys: 18 function and 12 direct keys. The direct keys can be programmed and labelled. A PLU/tare key with up to 200 basic prices or tare values ensures rapid, error-free operations.



The waterproof keypad of the EC II scales with price calculation only has 3 keys. These can be locked if the scales are used as a check for customers in self-service areas.



EC II 200 F
Electronic desk-top scales with price calculation and customer display on stand



EC II 100
Electronic desk-top scales with price calculation



We have thought of every detail – even how the whole thing can be hygienically cleaned in a flash. This is formal and functional design at its best.



EC II 100 E
Electronic desk-top scales with weight display



Weighing range:	6 kg	15 kg	30 kg ¹⁾	3/6 kg ¹⁾	6/15 kg ¹⁾	15/30 kg ¹⁾
Scale division:	2 g	5 g	10 g	1/2 g	2/5 g	5/10 g
Minimum load:	40 g	100 g	200 g	20 g	40 g	100 g
Max. tare load:	-6 kg	-9,995 kg	-30 kg	-6 kg	-9,995 kg	9.995 kg

Display:

EC II 200 F / EC II 100

- 7 segment liquid crystal display (LCD) with twin-sided backlighting (sleep mode during battery operations) Weight: 5 digits, basic price: 6 digits Sales price: 6 digits, tare: 4 digits. Charge level display for rechargeable batteries

EC II 200 E

- 7 segment liquid crystal display (LCD) with single-sided backlighting (sleep mode during battery operations). Weight: 5 digits.

Operating keypad:

EC II 200 F / EC II 100

- Waterproof keypad with insert for labelling. 30 keys: 18 function and 12 direct keys – the direct keys can be programmed and labelled.

EC II 100 E

- T-key: tare reset with/without automatic delete; can be set via menu Zeroing key: the weight display can be set to zero when the scales are empty. ON-/OFF key: to turn the scales on and off. The keys can be locked, e.g. when the scales are used for as a check for customers in self-service areas. The scales are then switched on and off using the plug.

Memory:

EC II 200 F und EC II 100

- 200 PLU / tare memory

Programmable data per PLU:

EC II 200 F / EC II 100

- Basic price / tare

RS 232 interface:

EC II 200 F / EC II 100

- RS 232

Weight:

- EC II 100 = 4,35 kg
- EC II 100 E = 4,35 kg
- EC II 200 F = 4,50 kg

Temperature range:

- -10° bis +40° C

Operating voltage:

- 230 V, AC 50 Hz, (+6 / -10%), 120 V (+10 / -15%), 12 V DC Mains operations via mains power supply unit

Power supply:

- 800 mA²⁾

Rechargeable battery slot with switch:

- Battery operations require 6 conventional rechargeable Ni-MH 7000 mAh batteries, size D. Operating time with fully-charged batteries approx. 70 hours with backlit display and 120 hours without. The batteries are recharged via the power supply unit, but are not included. Alternatively 6 non-rechargeable 1.5 V, size D batteries can be used; the power supply is to be set accordingly. Operating time with new batteries up to 190 hours with backlit display and up to 250 hours without. Batteries are not included.

Power cable:

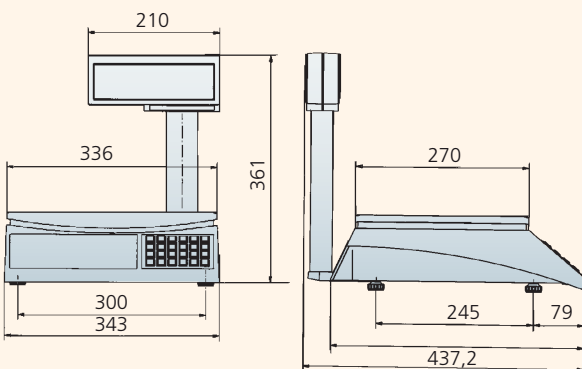
- FC can be connected to an external 12V rechargeable battery (e.g. car battery) via the power supply input socket on the scales. Data dialogues on request.

¹⁾ Option: 30 kg/split weighing range

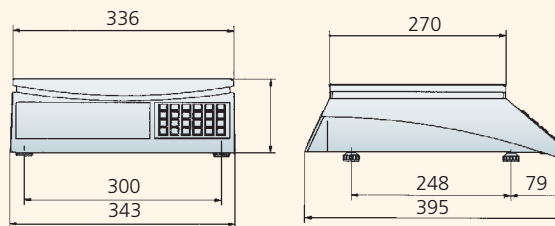
²⁾ Max. power consumption when batteries are recharging

³⁾ Operating time depends on age and charge of the batteries

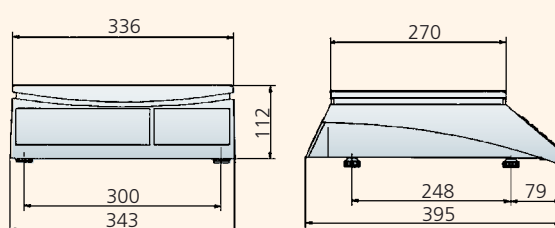
EC II 200 F



EC II 100



EC II 100 E



Members of the Bizerba Group

Bizerba GmbH & Co. KG
 Wilhelm-Kraut-Straße 65
 72336 Balingen
 Germany
 Tel. +49 7433 12-0
 Fax +49 7433 12-2696
 marketing@bizerba.de
 www.bizerba.com

Bizerba (U.K.) Limited
 Bizerba House
 Eastman Centre
 Eastman Way
 Hemel Hempstead
 Herts HP 2 7 DU
 U.K.
 Tel. +44 1442 24-0751
 Fax +44 1442 2313-28
 sales@bizerba.co.uk

Bizerba USA Inc.
 31 Gordon Road
 Piscataway
 New Jersey 08854
 USA
 Tel. Office +1 732 565-6000
 Tel. Service +1 732 565-6001
 Fax +1 732 819-0429
 us.info@bizerba.com
 www.bizerbausa.com

Bizerba Canada Inc.
 2810 Argentia Road #9
 Mississauga,
 Ontario L5N 8L2
 Canada
 Tel. +1 905 816-0498
 Fax +1 905 816-0497
 sales@bizerba.ca
 www.bizerba.ca

Bizerba South East Asia
 Pte. Ltd.
 1 Fifth Avenue #02-05
 Guthrie House
 Singapore 268802
 Singapore
 Tel. +65 6465-1900
 Fax +65 6468-0481
 bizerba@bizerba-sea.com
 www.bizerba-sea.com