

# Fact sheet

## PC terminal iS70

**BIZERBA**

*The iS70, made of stainless steel with optional weighing technology, withstands the rough environmental conditions of the industrial daily routine. Due to its touch display the device is the optimal terminal for weighing, dosing, counting, controlling, managing and data input.*



More information  
High performance  
with a wide range  
of solutions and  
equipment variants.

Specifications	Facts	Details
Housing	Stainless steel	1.4301
Protection class	IP65	Dust and water resistant
Environmental temperature	Operating: 0 °C to +40 °C	
Display	Active color TFT-LCD display	Diagonal: 39,1 cm / 15.4" Resolution: 1280 x 800 pxl  Diagonal: 48,3 cm / 19" Resolution: 1280 x 1024 pxl
Touchscreen	Resistive touch technology  GFG (Glass-Film-Glass) technology	Deployment in moderate industrial environment  Deployment in rough industrial environment (surface scratch- and shockproof according to IK07)
Processor	Intel Celeron 847E	1,1 GHz
Main memory	4 GB	DDR3 RAM
Data memory	128 GB	SSD Solid-State-Drive
Operating system	Windows Embedded Standard 7P	64 bit
Interfaces	6 x USB  3 x Ethernet  1 x serial interface	USB 2.0, one led outside IP65  RJ 45, 10/100/1000 Mbit, Wake On LAN / Boot On LAN  RS 232
Installation system	VESA-100	Mounting system
Power supply	100 V-240 V  Alternative 24 V DC	50/60 Hz

Options	Facts	Details
<b>Additional interfaces</b>	RS 232 RS 422 RS 485	Galvanically seperated
<b>Data memory</b>	120 GB	SSD Solid-State-Drive
<b>Ethernet</b>	WLAN internal radio module	DNXA-92, 802.11n a/b/g mPCle
<b>Setup devices</b>	– Foot – Post	

<b>Scales</b>	Three load receptors connectable	NT-Scale software
<b>Data storage</b>	Verifiable data storage via _connect.BRAIN	

**Infographic:**



**Symbols**



IP65



32BIT



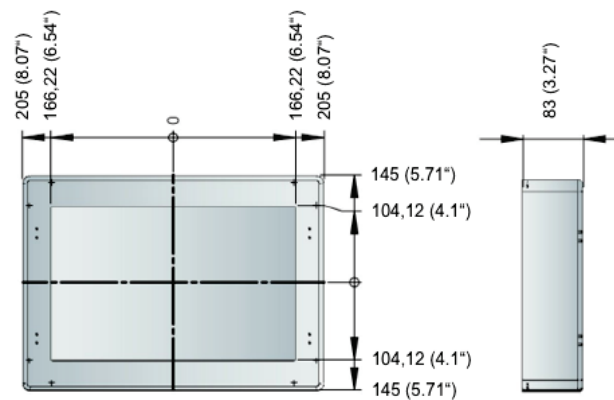
64BIT



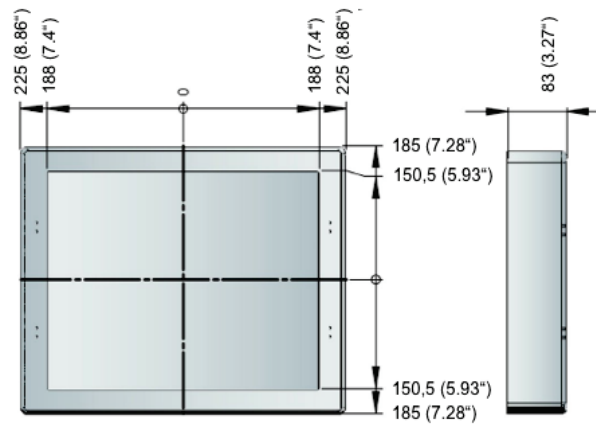
SSD

**Dimensions**

Display diagonal: 39,1 cm / 15.4"



Display diagonal: 48,3 cm / 19"



#### Members of the Bizerba Group

##### Bizerba GmbH & Co. KG

Wilhelm-Kraut-Straße 65  
72336 Balingen  
Deutschland  
T +49 7433 12-0  
F +49 7433 12-2696  
marketing@bizerba.com

[www.bizerba.com](http://www.bizerba.com)