

Fact Sheet

PC-Terminal iS65

A full-value industry PC - lean, robust, good-looking and made for the rough environmental conditions of the industrial daily routine, the iS65 terminal functions for tasks like information, managing or data input.



More information
High performance with a wide range of solutions and equipment variants.

Specifications	Facts	Details
Housing	Die cast housing	Aluminum, coated
Protection type	IP65 Gummed cable bushing for protection of all interfaces	Dust and water resistant
Environmental temperature	Operation: 0 °C to +40 °C	
Display	15" display with LED backlight	Resolution: 1024x768 pxl
Touchscreen	Resistive touch technology	Deployment in moderate industry environment
Processor	Intel Atom E3827	1,75 GHz
Main memory	4 GB	DDR3 RAM
Data storage	128 GB	SSD Solid-State-Drive
Operating system	Windows Embedded Standard 7P	64 bit
Interfaces	3 x USB 2 x ethernet 1 x serial interface	USB 2.0 RJ 25, 10/100/1000 Mbit RS232, 5V power supply for the connection of an external scanner selectable via switch Note: a maximum of three interfaces can be led outside via the gummed cable bushings (IP65).
Ethernet	WLAN internal radio module	IEEE 802.11 a/b/g/n three internal antennas for best possible reception
Mounting system	VESA-75	Equipment holder
Network connection	DC IN 24 V DC	Wide range 19 – 29 V DC
Vibration and shock	Vibration stability and shock stability	according to EN 60721-3-5

Options	Facts	Details
Setup devices	– Foot – Post	
Weighing technology	not integrated	

Infographics:



Symbols



Protection class IP65

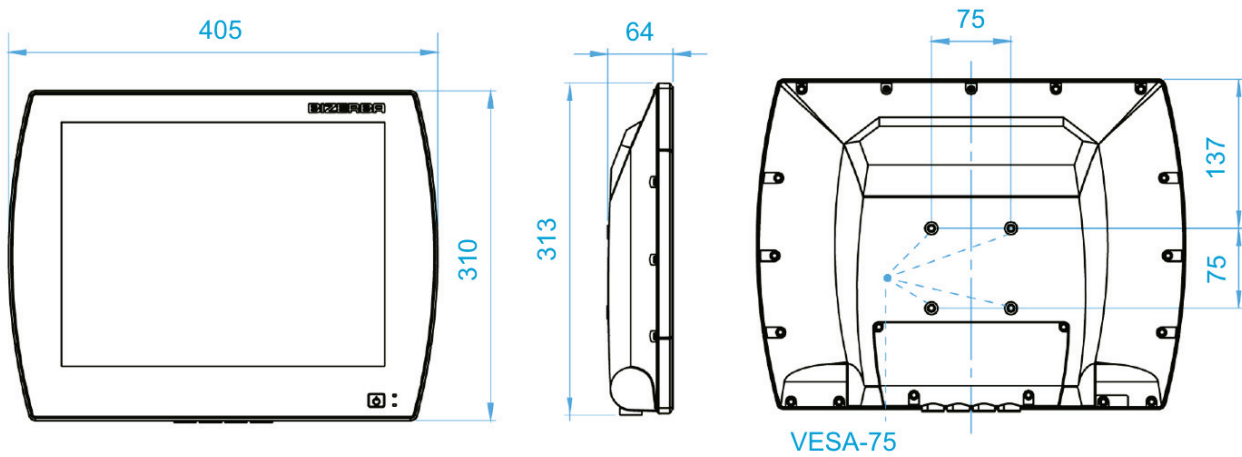


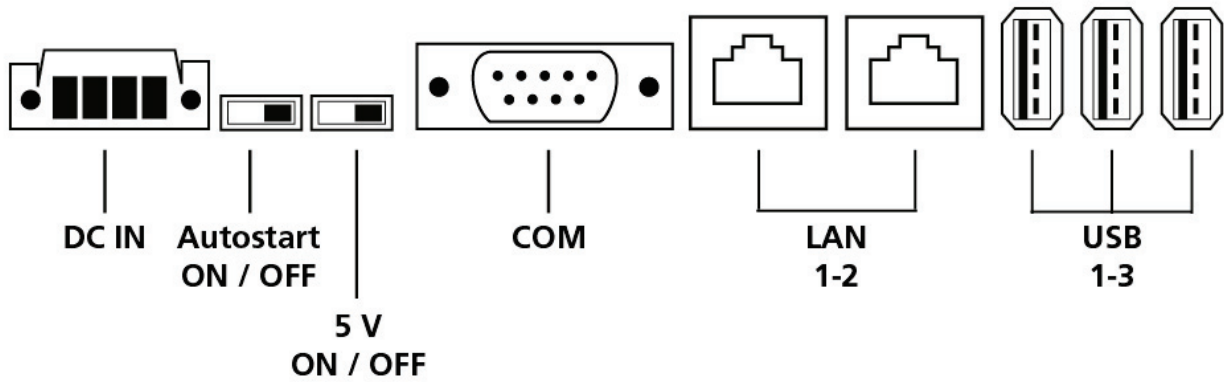
64BIT



SolidState Drive

Dimensions





Members of the Bizerba Group

Bizerba GmbH & Co. KG

Wilhelm-Kraut-Straße 65
72336 Balingen
Deutschland
T +49 7433 12-0
F +49 7433 12-2696
marketing@bizerba.com

www.bizerba.com